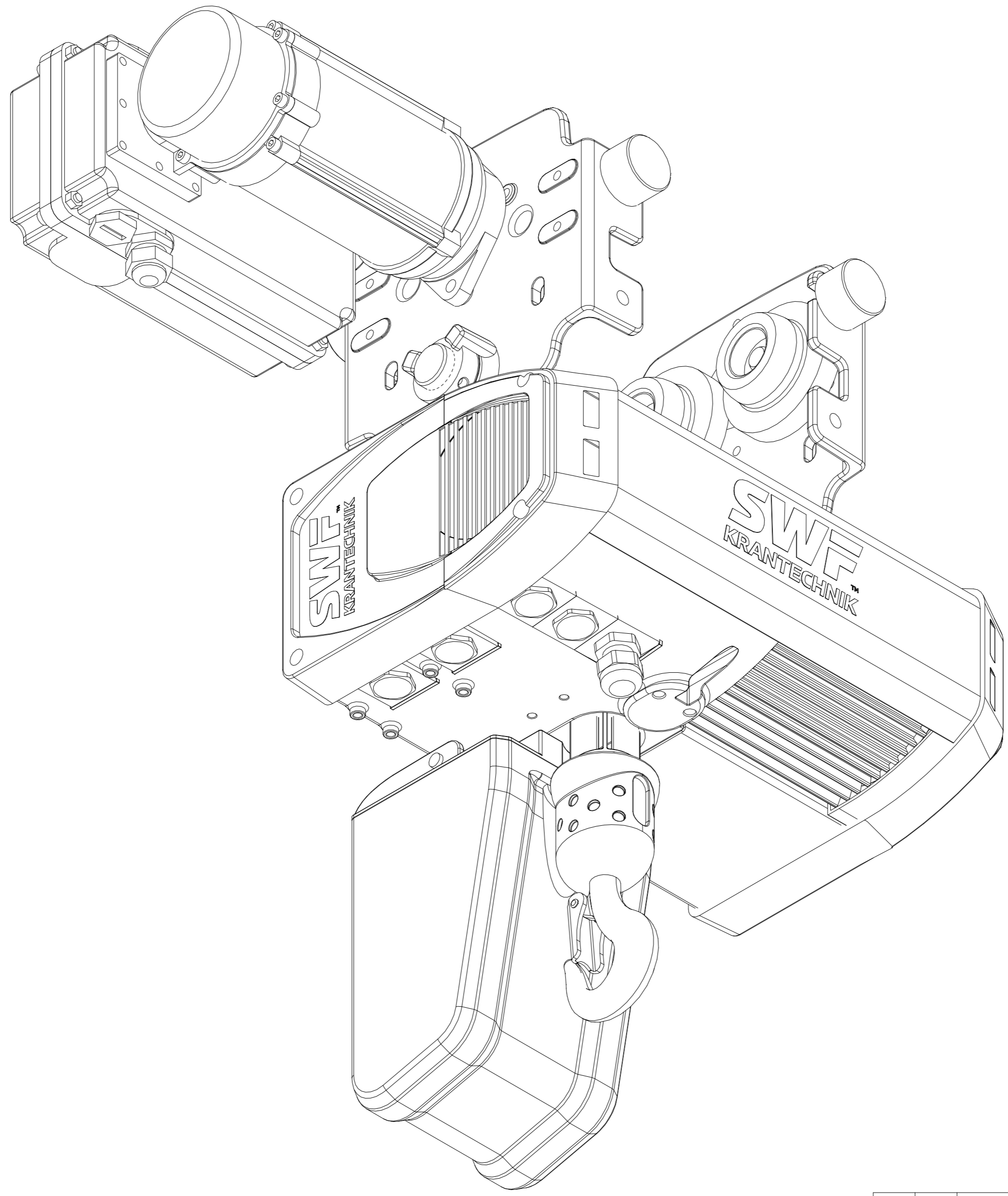




sgbbbo-000361-1-AB-085.1P-N-OI

REV	POPIS ZMĚNY	ECN	DATUM	REVIDOVAL(A)	SCHVÁLIL(A)
-----	-------------	-----	-------	--------------	-------------



SWF Krantechnik reserves the right to alter or amend the above information without notice.  
 This document and the information contained herein, is the exclusive property of SWF Krantechnik, and represents a non-public,  
 confidential and proprietary information. No part of this document may be reproduced, stored in a retrieval system, or  
 transmitted in any form or by any means, electronic, mechanical, photocopying, recording, or by any information storage and  
 retrieval system, without the express written consent of SWF Krantechnik GmbH. Copyright © SWF Krantechnik. All rights reserved.

Poz	Ks	Popis	Specifikace		
		sgbbbo/Slovakia			DAS / M@ngo
		Konstrukce	Změna	Schvál.	Ref. vykres
		2022.04.08			Vx proj
		Datum	-		1:2.5
		Sř.	-		M-film
			-		Vydání
		<b>SWF</b> KRANTECHNIK™	sgbbbo-000361-1-AB-085.1P-N-OI		