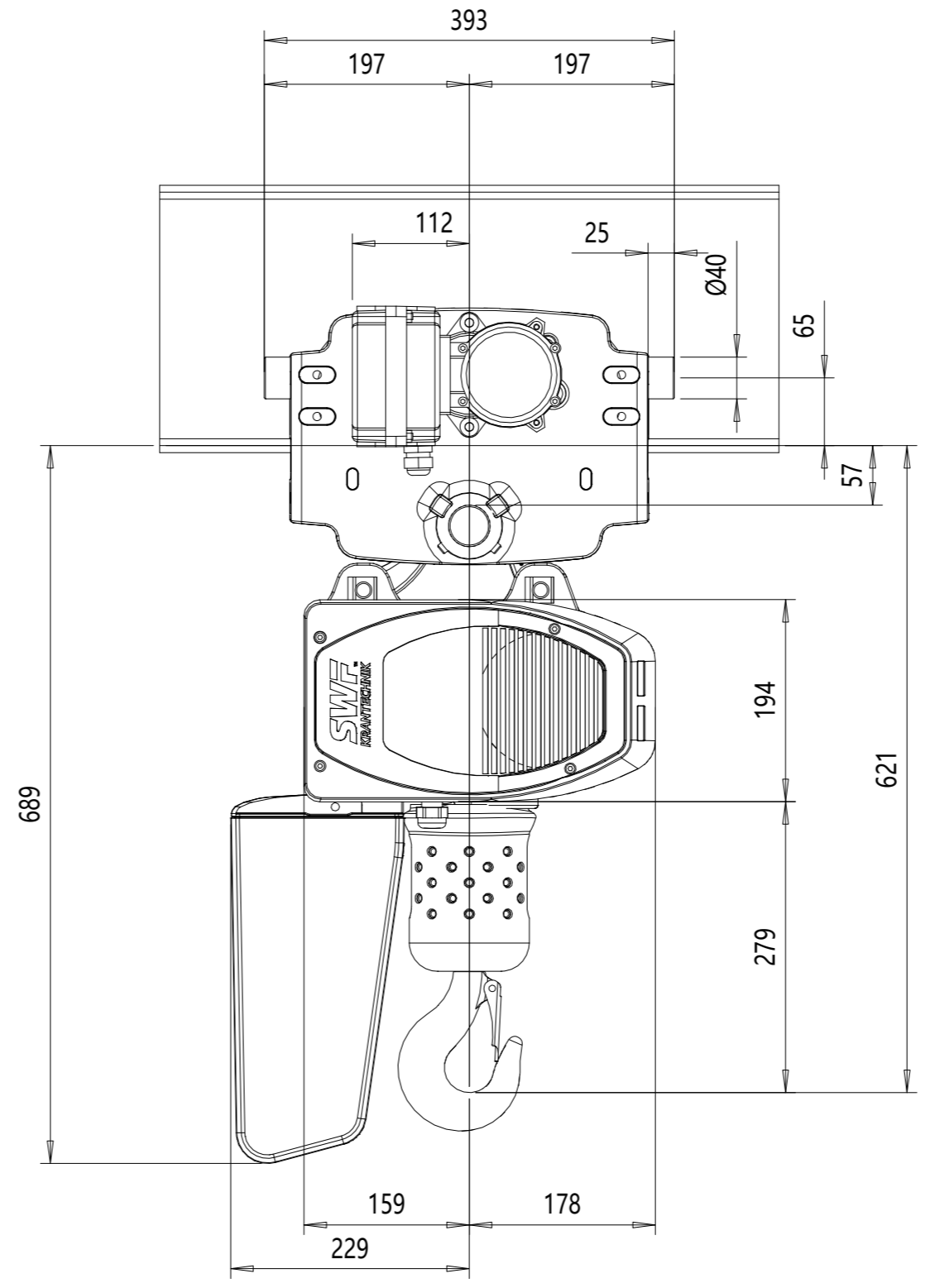
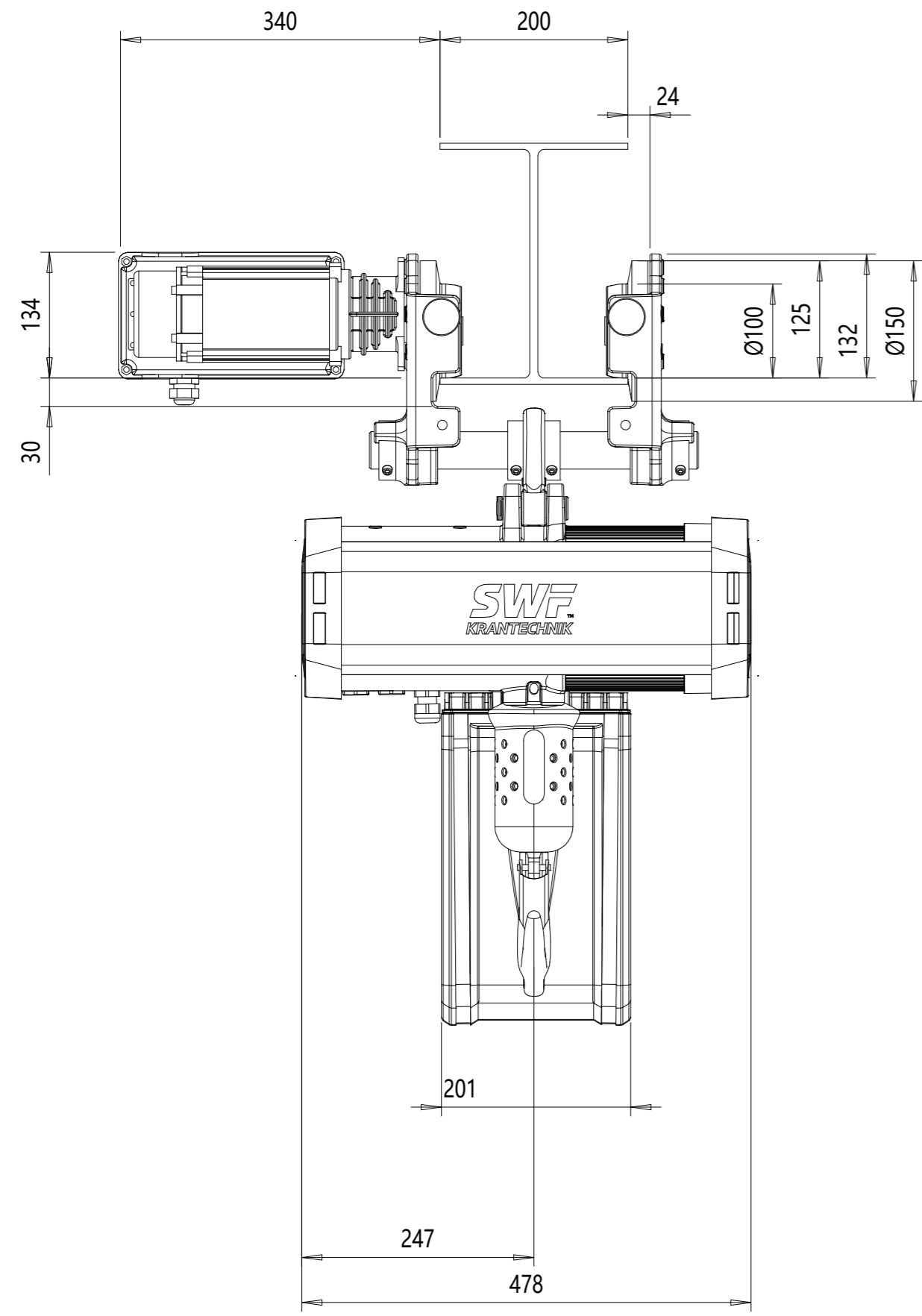


sgbbbo-000363-1-AC-045.2P-200-O

REV	CHANGE DESCRIPTION	ECN	DATE	REVISED BY	APPROVED BY
-----	--------------------	-----	------	------------	-------------



TECHNICAL DATA

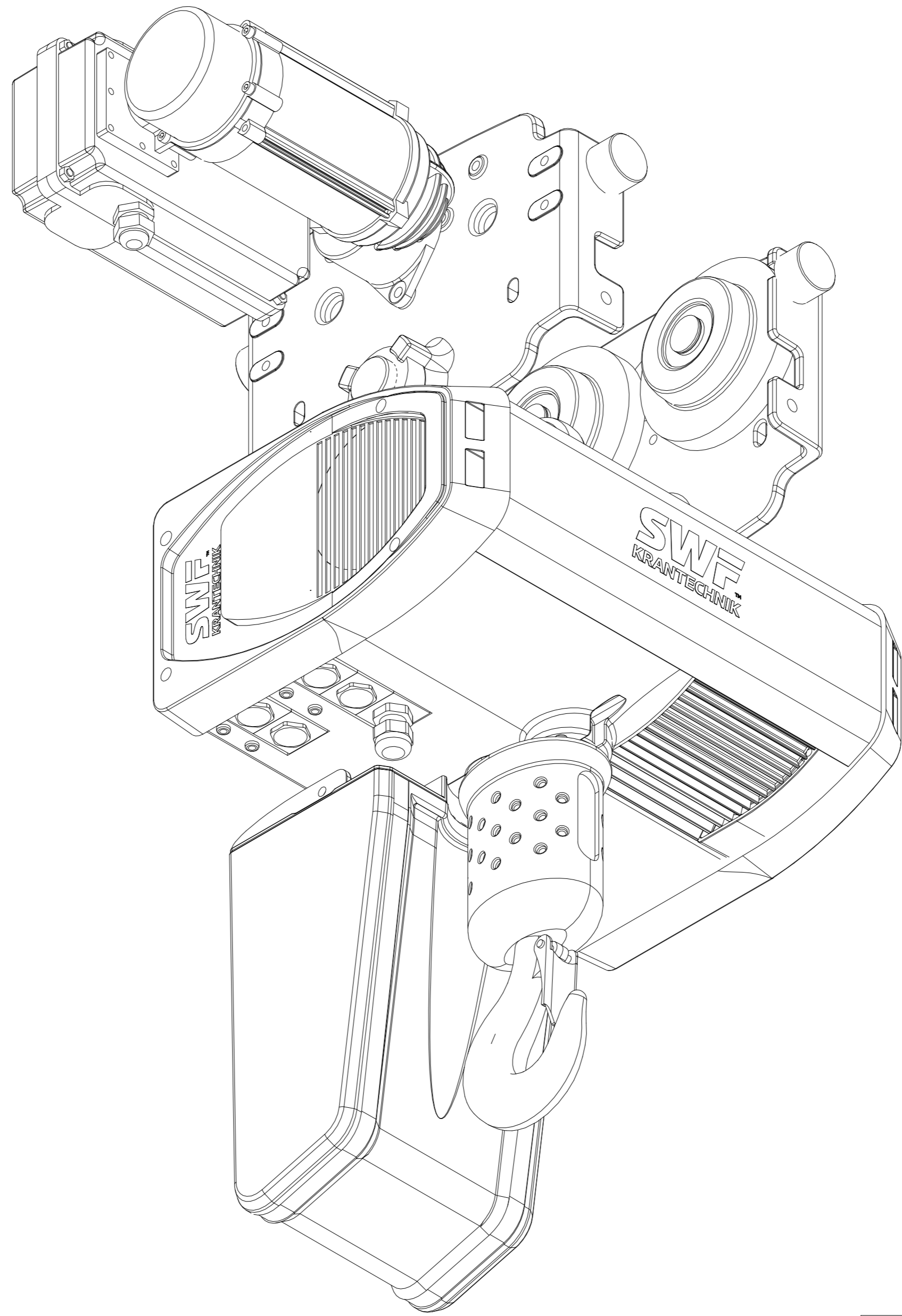
Load	: 2000 kg
Lifting height	: 6 m
Hoisting speed	: 4 / 1 m/min
Traversing speed	: Inverter 2 Steps:20/5 m/min
Weight of hoist	: 112 kg
Hoist group	: M5
Main / control voltage	: 400 / 48 V; 50 Hz

Pos	Amount	Description	Specification
	sgbbbo/Slovakia	Chd	Appd
	Design	Ref drawing	DAS / M@ngo
	2022.04.22		Vx proj
	Date		1:6.0
			M-film
	Dept		
SWF KRANTECHNIK			Issue
sgbbbo-000363-1-AC-045.2P-200-O			

SWF Krantechnik reserves the right to alter or amend the above information without notice.
 This document and the information it contains are the property of SWF Krantechnik and represent a non-public, confidential and proprietary trade secret that may not be reproduced, disclosed to third parties, altered or otherwise employed in any manner whatsoever without the express written consent of SWF Krantechnik GmbH. Copyright © SWF Krantechnik. All rights reserved.

sgbbbo-000363-1-AC-045.2P-200-OI

REV	CHANGE DESCRIPTION	ECN	DATE	REVISED BY	APPROVED BY
-----	--------------------	-----	------	------------	-------------



SWF Krantechnik reserves the right to alter or amend the above information without notice.
 This document and the information contained herein, is the exclusive property of SWF Krantechnik, and represents a non-public,
 confidential and proprietary information. No part of this document may be reproduced, stored in a retrieval system, or
 transmitted in any form or by any means, electronic, mechanical, photocopying, recording, or by any information storage and
 retrieval system, without the express written consent of SWF Krantechnik GmbH. Copyright © SWF Krantechnik. All rights reserved.

Pos	Amount	Description	Specification	
		sgbbbo/Slovakia	Chd	Appd
		Design	Ref drawing	DAS / M@ngo
		2022.04.22		Vx proj
		Date	-	1:2.5
		Dept	-	M-film
			-	
		SWF KRANTECHNIK™		Issue
		sgbbbo-000363-1-AC-045.2P-200-OI		