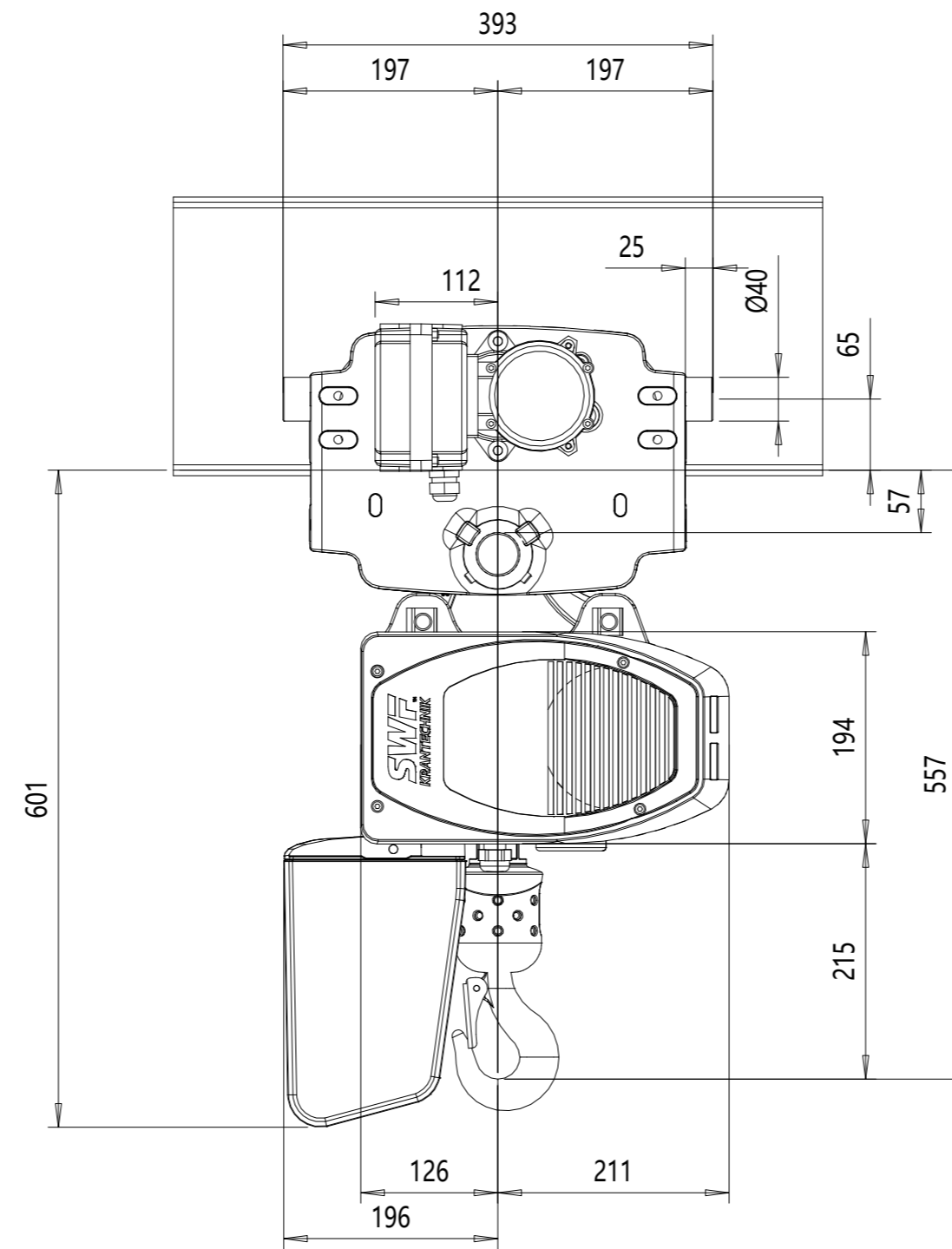
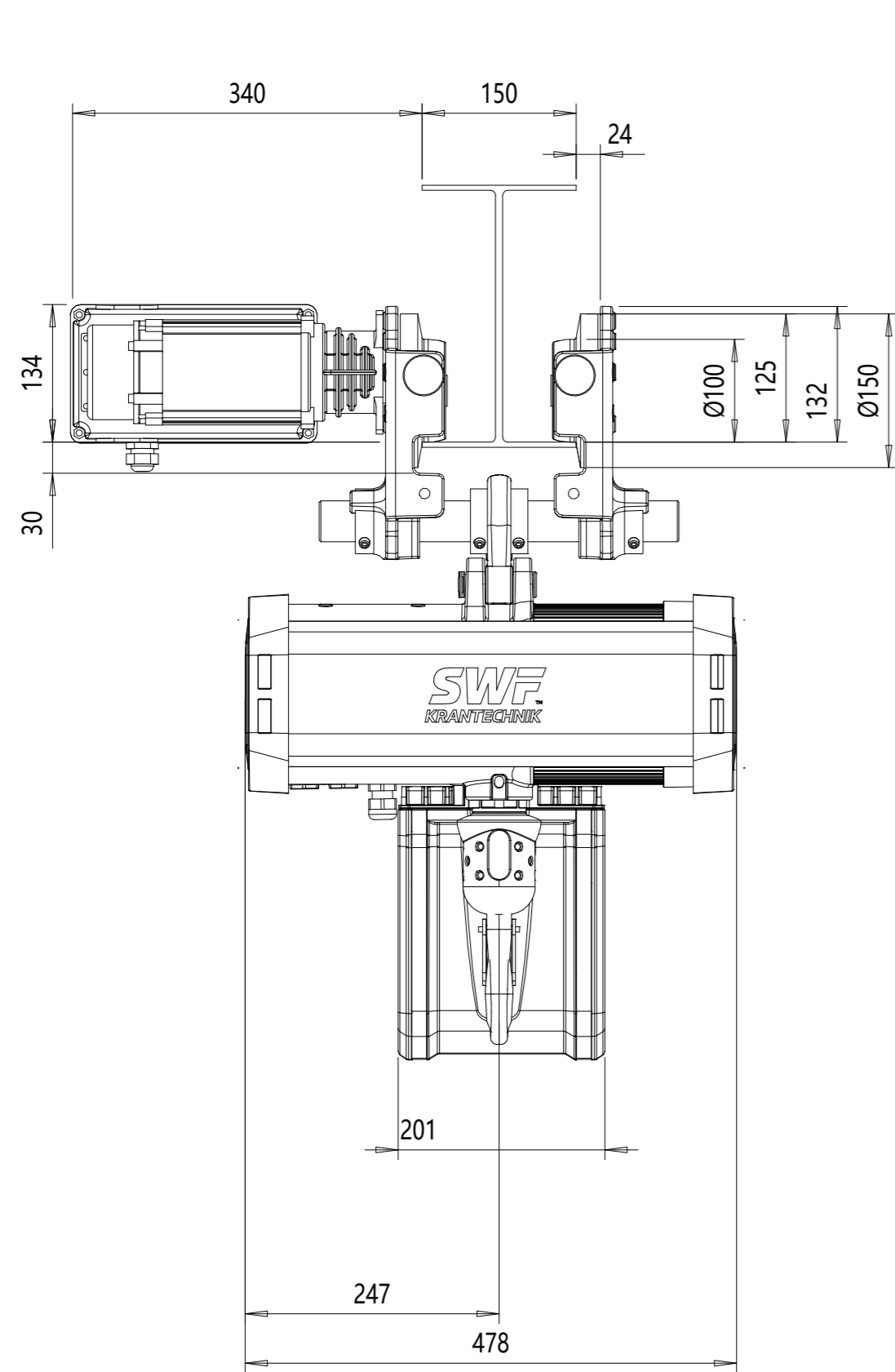


sgbbbo-000362-1-AC-085.1P-100-O

REV	POPIS ZMĚNY	ECN	DATUM	REVIDOVAL(A)	SCHVÁLIL(A)
-----	-------------	-----	-------	--------------	-------------



**TECHNICKÁ DATA**

Nosnost	: 1000 kg
Výška zdvihu	: 6 m
Rychlost zdvihu	: 8 / 2 m/min
Rychlost pojezdu kočky	: Inverter 2 Steps:20/5 m/min
Hmotnost kladkostroje	: 110 kg
Klasifikace hlavního zdvihu	: M5
Provozní / ovládací napětí	: 400 / 48 V; 50 Hz

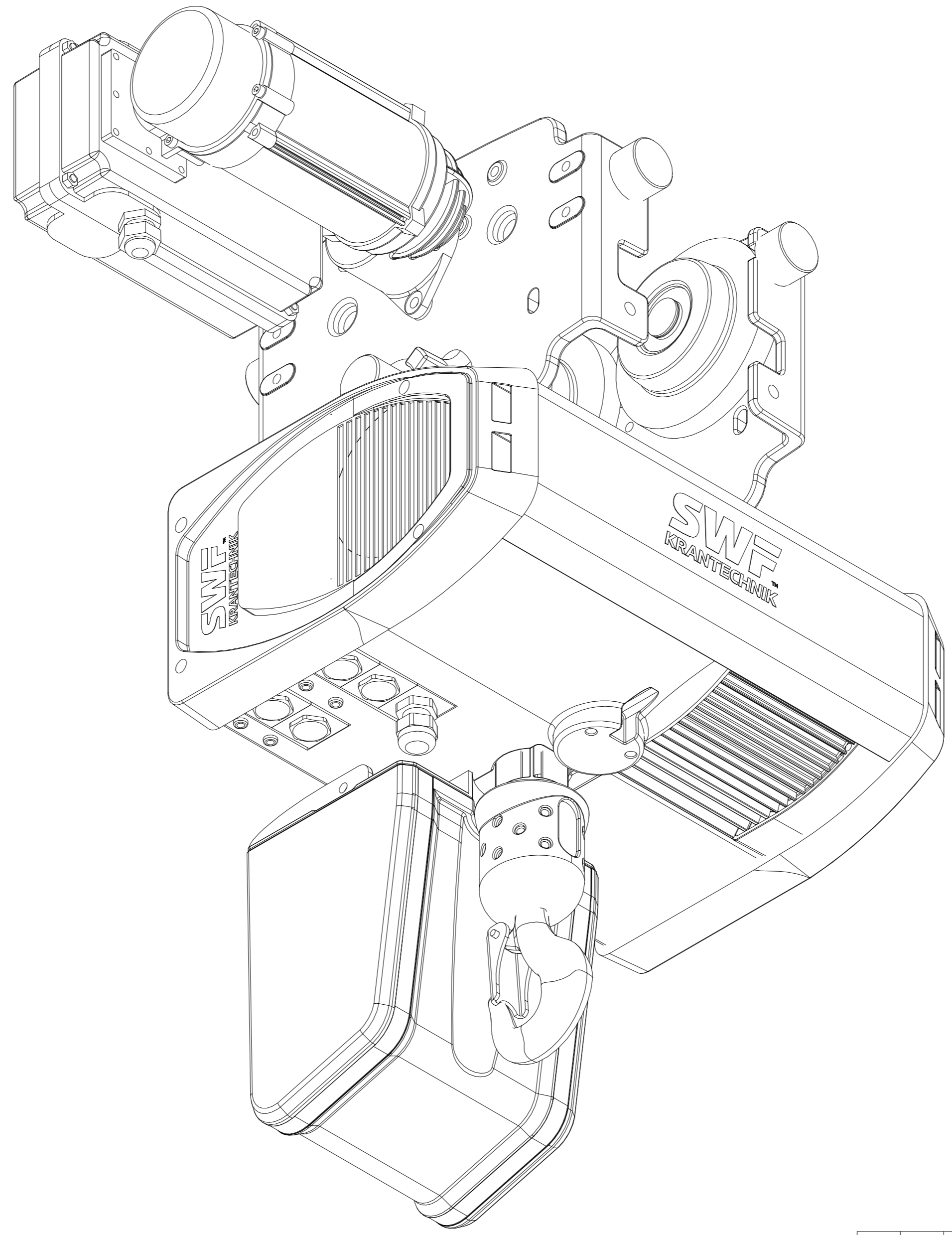
Poz	Ks	Popis	Specifikace
		sgbbbo/Slovakia	
		Konstrukce	Změna
		2022.04.20	Schwál.
		Datum	Ref. výkres
		Sř.	DAS / M@ngo
			Vx proj
		1:6.0	
		M-film	
		Vydání	
		sgbbbo-000362-1-AC-085.1P-100-O	



SWF Krantechnik reserves the right to alter or amend the above information without notice. This document and its contents are the exclusive property of SWF Krantechnik and represent a non-public, confidential and proprietary trade secret that may not be reproduced, disclosed to third parties, altered or otherwise employed in any manner whatsoever without the express written consent of SWF Krantechnik GmbH. Copyright © SWF Krantechnik. All rights reserved.

sgbbbo-000362-1-AC-085.1P-100-OI

REV	POPIS ZMĚNY	ECN	DATUM	REVIDOVAL(A)	SCHVÁLIL(A)
-----	-------------	-----	-------	--------------	-------------



SWF Krantechnik reserves the right to alter or amend the above information without notice.  
 This document and the information contained herein, is the exclusive property of SWF Krantechnik, and represents a non-public,  
 confidential and proprietary information. No part of this document may be reproduced, stored in a retrieval system, or  
 transmitted in any form or by any means, electronic, mechanical, photocopying, recording, or by any information storage and  
 retrieval system, without the express written consent of SWF Krantechnik GmbH. Copyright © SWF Krantechnik. All rights reserved.

Poz	Ks	Popis	Specifikace		
		sgbbbo/Slovakia			DAS / M@ngo
		Konstrukce	Změna	Schvál.	Ref. výkres
		2022.04.20			Vx proj
		Datum	-		1:2.5
		Sř.	-		M-film
			-		Vydání
		<b>SWF</b> KRANTECHNIK™	sgbbbo-000362-1-AC-085.1P-100-OI		